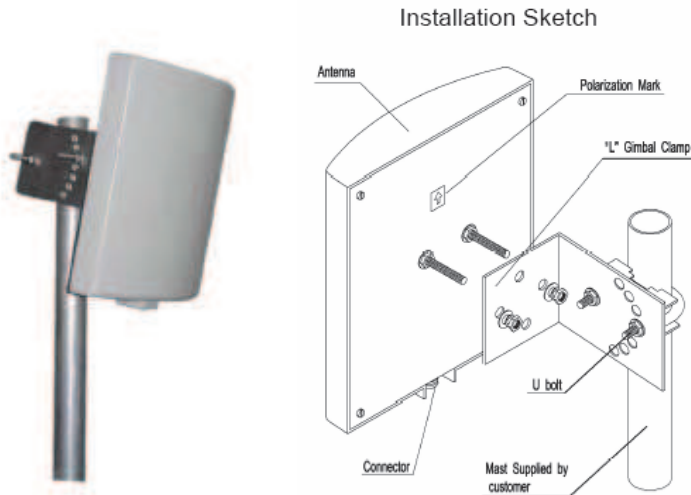




450MHz Panel Antenna REN 64506 PN

PARAMETERS	SPECIFICATIONS
Frequency Range	450~470MHz
Gain	6.0 dBi
VSWR	$\leq 2.0: 1$
Impedance	50 Ω
Polarization	Vertical
Horizontal Beamwidth	85 ⁰
Vertical Beamwidth	120 ⁰
Front to Back Ratio	≥ 15 dB
Max. Power	50 Watt
Lightning Protection	Direct Ground
Connector	N (F)
Dimensions (Approx.)	240 x 230 x 50 mm
Weight (Approx.)	0.96 Kg
Radome material	ABS radome
Rated Wind Velocity	210 km/hr
Mounting Mass Diameter	Φ 40- Φ 50mm



Note: Mounting Hardware and Brackets are supplied with Antenna

WE ALSO UNDERTAKE DESIGNS PER YOUR REQUIREMENT